

SPECIFICATIONS

MODEL	POWER	BORE	STROKE	ADVANCE	RAM SPEED		CAPACITY (TONS)	WEIGHT (LBS.)	SHIPPING DIMENSIONS		
					PRESS	RETURN			L	W	H
RTP-250	10 HP 3 phase	12"	20"	22 IPM	4 IPM	27 IPM	250	10,000	80"	100"	111"

Standard voltages available - please specify when ordering.

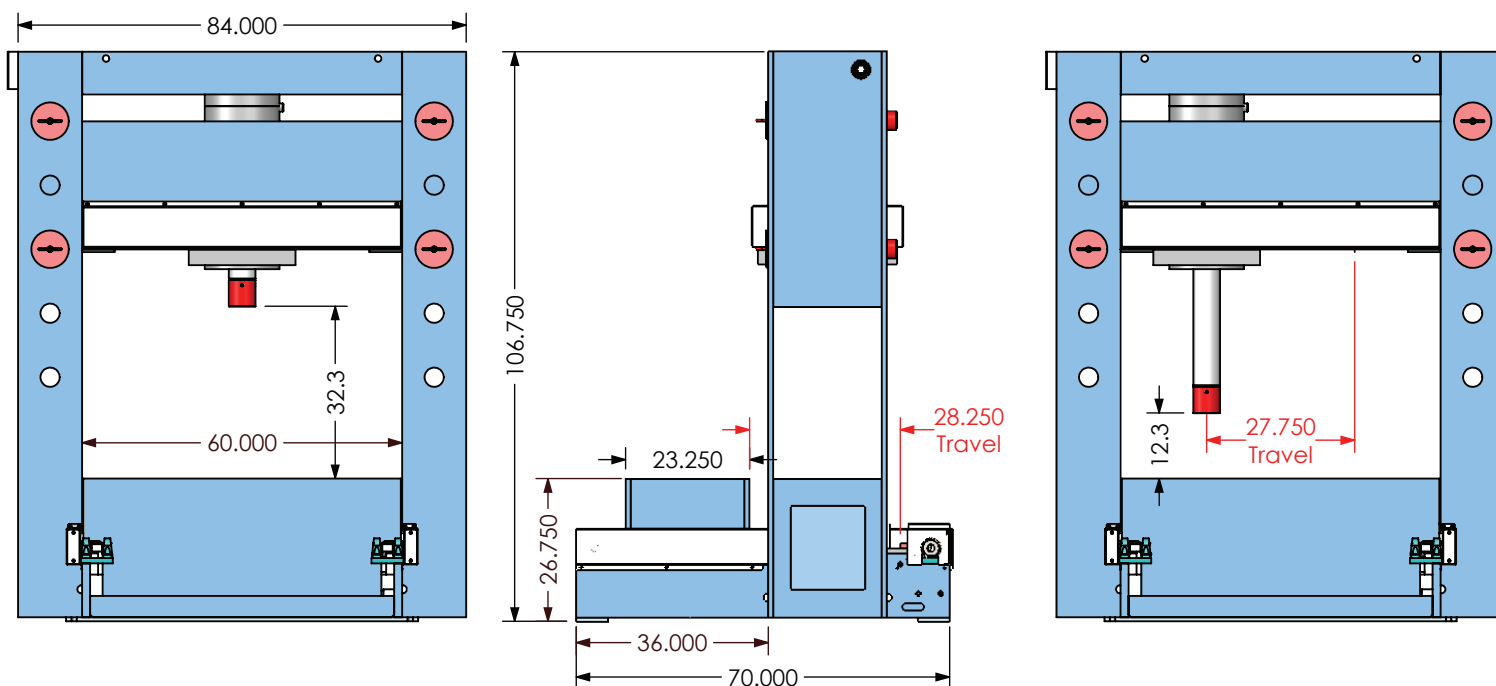
ROLL-IN TABLE PRESS 250 Ton

STANDARD FEATURES

- ✓ **Powered movable table** for ease of loading & positioning workpiece under cylinder.
- ✓ **Powered movable workhead** for off-center work allows operator to position the cylinder from left to right with the touch of a lever.
- ✓ **Hydraulic power-lift** for vertical displacement of head assembly.
- ✓ **Cylinder activation** is fingertip controlled, the more the hand lever is engaged the more the ram movement is accelerated. This allows the operator to control the proper speed for the task.
- ✓ **Pressure regulator** to limit the ram pressure.

AVAILABLE OPTIONS

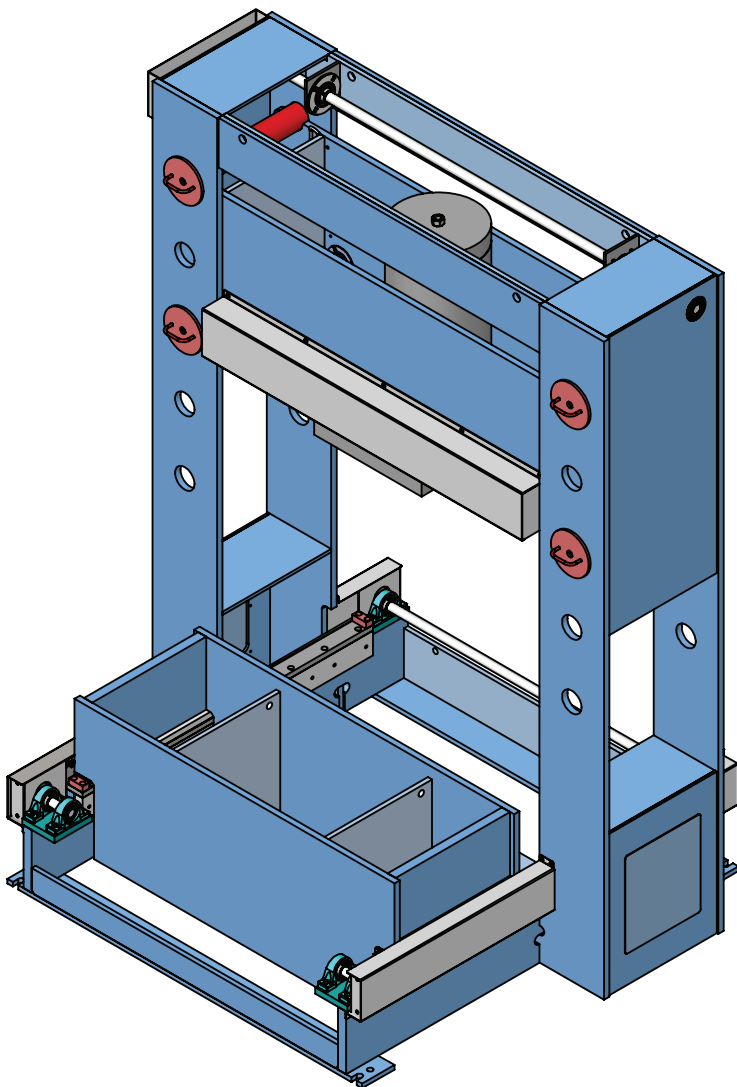
- VB-250** V BLOCKS matched pair.
- FSG-250** Front safety guard for operator protection.
- SSE-250** Stop / Start c/w emergency stop button, wired direct to motor.
- PP-250** Pressing Plate



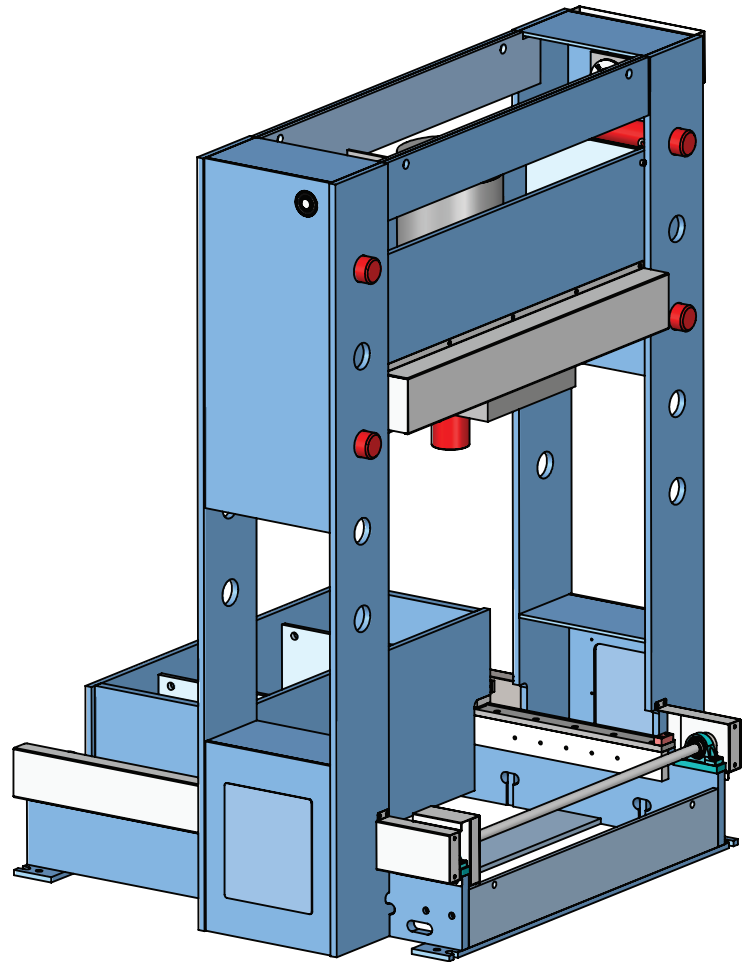
Custom designs available
We Build Them your Way!

RTP - 250

ROLL-IN TABLE PRESS 250 TON



Front View



Back View